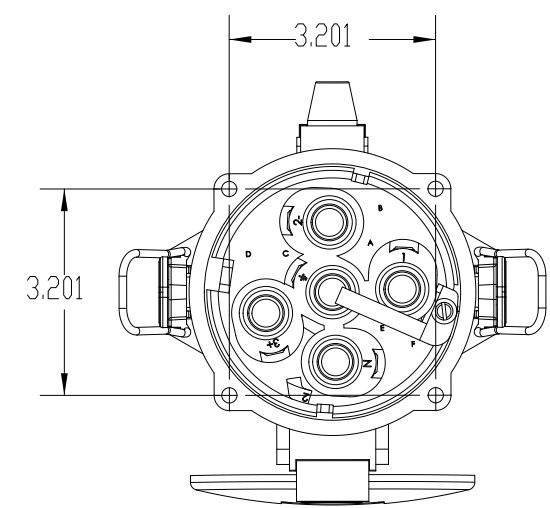
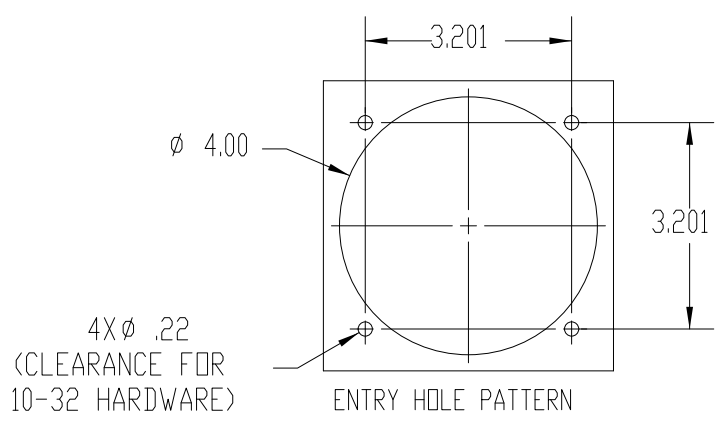
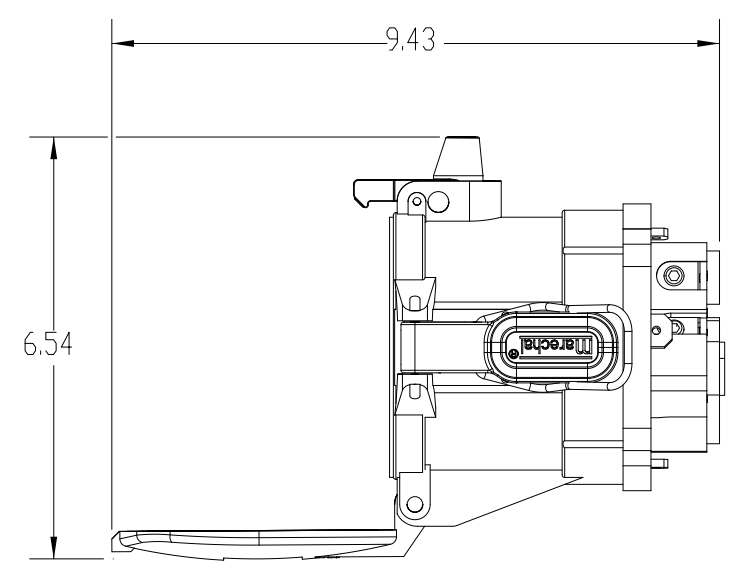
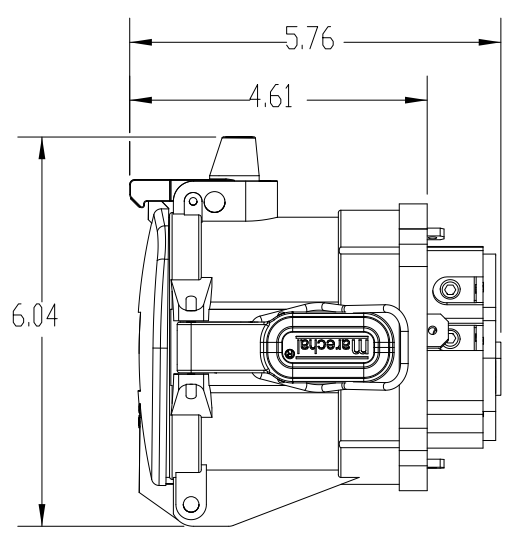
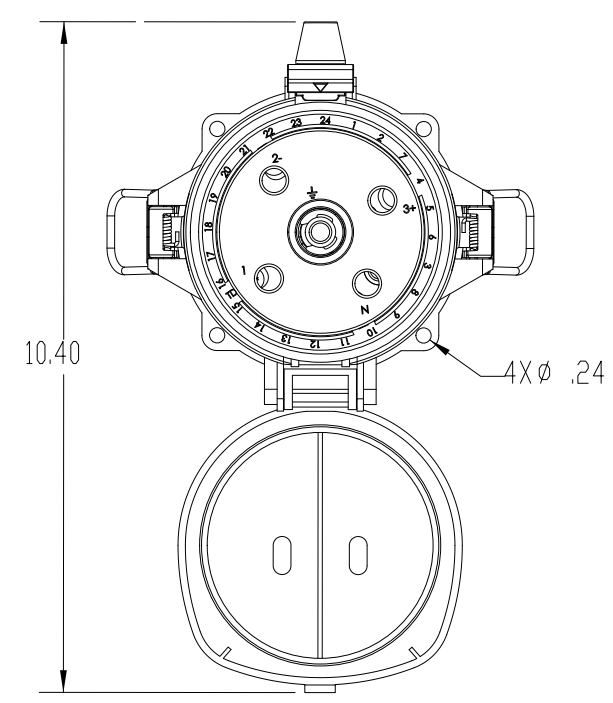



This drawing is the property of MELTRIC Corporation, Franklin (Milwaukee), Wisconsin, USA. Any unauthorized copying of this drawing by any means, or disclosure of its contents to any person not authorized by MELTRIC Corporation or its agents to receive it, is strictly prohibited.

G                      F                      E                      D                      C                      B                      A



HAZARDOUS RATINGS:  
 CII Div2, Gr ABCD, T6  
 CII Zone 2, IIC

TOLERANCES UNLESS OTHERWISE SPECIFIED MACHINED SURFACES $125 \sqrt{\text{MAX}}$ GROUND SURFACES $32 \sqrt{\text{MAX}}$ ANGLE TOLERANCE $\pm 1^\circ$ REMOVE BURRS & SHARP EDGES TO .015 MAX.		ENGLISH 0.X $\pm 0.05$ 0.XX $\pm 0.01$ 0.XXX $\pm 0.005$		 A COMPANY OF MARÉCHAL ELECTRIC	
DRAWN: _____ DATE: _____	APPROVED: _____ DATE: _____	DRAWING TITLE: DSN150 HAZARDOUS LOCATION RECEPTACLE		MATERIAL: BLACK METAL CASING	
SHEET: 1 OF 1		SCALE: NTS		PART NUMBER: 66-94xxx-xxx-HAZ	
				REVISION	

1  
2  
3  
4  
5  
6